

Large Current Output Signal Isolator

Features:

- >> Accuracy class: 0.1, 0.2
- >> Standard signal input :0-5V / 0-10V/1-5V ,0-10mA / 0-20mA/4-20mA so on.
- >> Standard signal output :0-100mA / 0-300mA / 0-500mA / 0-1A / 0-2A etc.current signal, or 0-1V(max 2A)/0-10V/0-24V(max 2A) etc.voltage signal.
- >> Power supply:5V/12V/15V/24V
- >> Signal Input / Output : 3000VDC isolation
- >> Non-isolation between output and power supply
- >> Installation: Mounting screws
- >> Size:120x105x29mm
- >> Operating temperature range: -45~85deg.C



Application:

- >> Industrial field signal isolation and amplification
- >> Current signal amplification
- >> Make the voltage signal drive capability strong
- >> Solenoid valves,proportional valves linear actuator
- >> Electromagnetic drive coils or power load
- >> Ground interference suppression

Product Listing:

DIN11D IAP - V(A)□ - P□ - V(A)□

Input Signal				Power Supply		Output Signal			
voltage	code	current	code	Power	code	current	code	voltage	code
0-5V	V1	0-1mA	A1	24VDC	P1	0-20ma	A3	0~5V	V1
0-10V	V2	0-10mA	A2	12VDC	P2	4-20ma	A4	0-10V	V2
0-75mV	V3	0-20ma	A3	5VDC	P3	User-defined	Az	1-5V	V6
0-2.5	V4	4-20mA	A4	15VDC	P4			User-defined	Vz
User-defined	Vz	User-defined	Az						

Note:Please inform us the output load when ordering.

Selection example:

Example 1: Input signal :0-10V Power supply: 24V Output signal :0-1A Output load:10 ohm

Model: **DIN11D IAP V2-P1-Az(Az:0-1A)**

Example 2: Input signal :0-10V Power supply: 12V output signal :0-10V Output load: 50 ohm

Model: **DIN11D IAP V2-P2-V2**

Example 3: Input signal :0-3V Power supply: 24V Output signal :0-24V Output load: 12 ohm

Model: **DIN11D IAP Vz-P1-Vz (INVz :0-3V OUTVz:0-24V)**

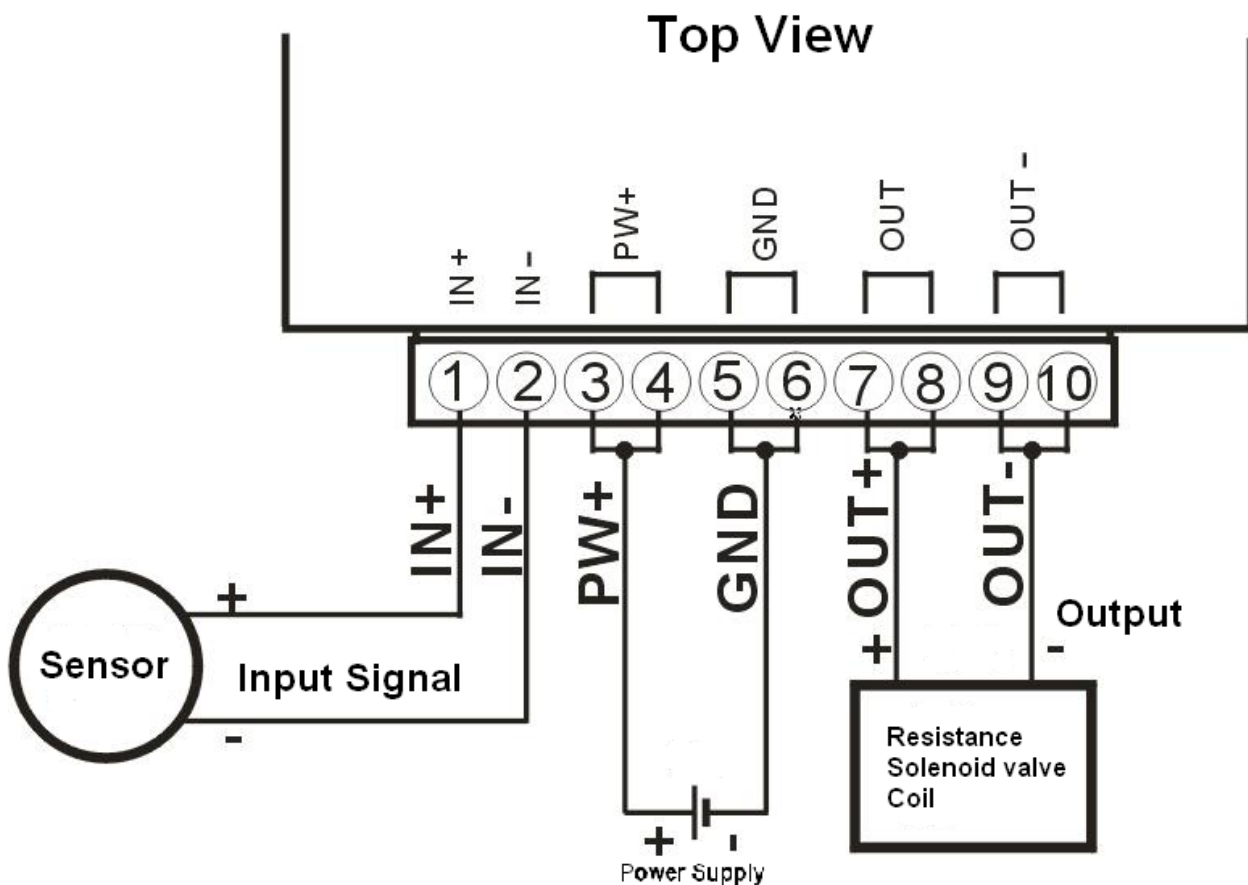
General Parameter:

Parameter	Condition	MIN.	TYP.	MAX.	Unit
Isolation	Isolation between input and output, non-isolation between power supply and output				
Isolation voltage	50Hz, 1 minute, leakage current : 1mA		3000		VDC
Operating Temperature		-45		85	Deg.C
Storage Temperature		-45		85	Deg.C
Operating Humidity	no condensation	10		90	%
Storage Humidity	no condensation	10		90	%

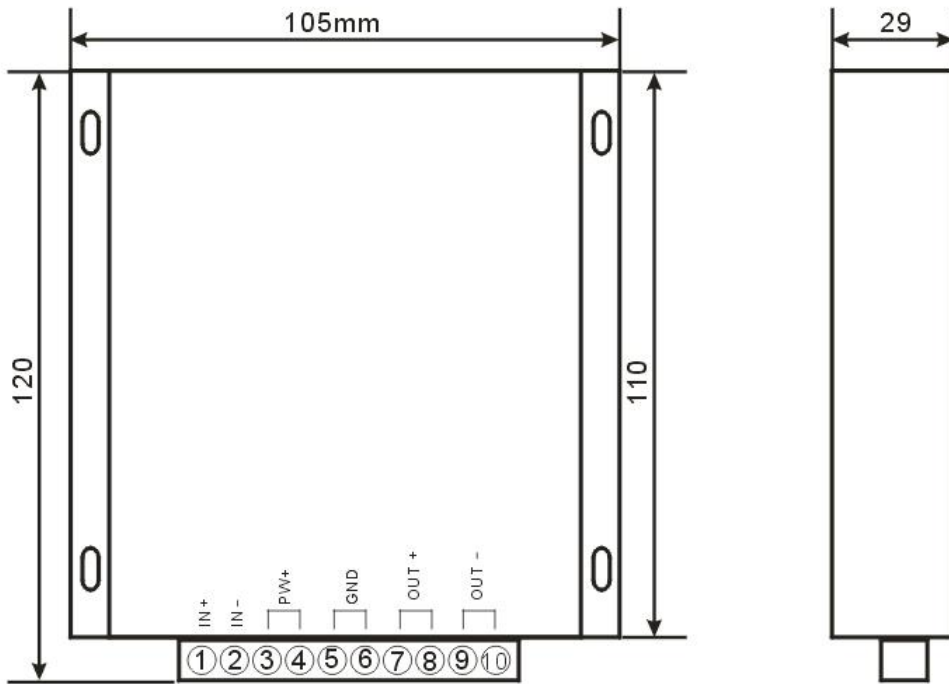
Note: All specifications measured at TA=25°C, humidity<75%, nominal input voltage and rated output load unless otherwise specified.

Footprint Definitions:

PIN	Name	Function	PIN	Name	Function
1	IN+	Signal Input +	7	Out+	Signal Output +
2	IN-	Signal Input -	8		
3	PW+	Power Supply +	9	Out-	Signal Output -
4			10		
5	GND	Power Supply -			
6					



Mechanical Dimensions: (unit: mm)



Warranty

Two years (but violate operating rules and requirements to create damage, clients need pay maintenance costs)

Copyright

Copyright © 2012 **Shenzhen WAYJUN Industrial Automation**

Specifications subject to change without notice.

Brand

In this manual, mentioned other trademarks and copyright belongs to their respective owners.

* Specifications subject to change without notice